

# Pressure Control Valves



## Pressure Reducing Valves DM 762

Your advantages at a glance

Connection	DN 15 - 50, G 1/2 - 2
Nominal Pressure	PN 16
Inlet Pressure	up to 16 bar
Outlet Pressure	0,002 - 0,52 bar
K <sub>V5</sub> Value	0,2 - 3,6 m <sup>3</sup> /h
Temperature	130°C
Medium	liquids, gases

### Millibar Control Valve

millibar control valve for medium flow rates, very precise, available in various versions | suitable for liquids and gases | completely made of deep-drawn CrNiMo steel | optimal surface characteristics, highest regulating accuracy, lowest control ranges up to a limit of 2 millibar

www.mankenbergl.de | Tel. +49 (0) 451 - 8 79 75 0

MANKENBERG GmbH | Spenglerstraße 99 | D-23556 Lübeck

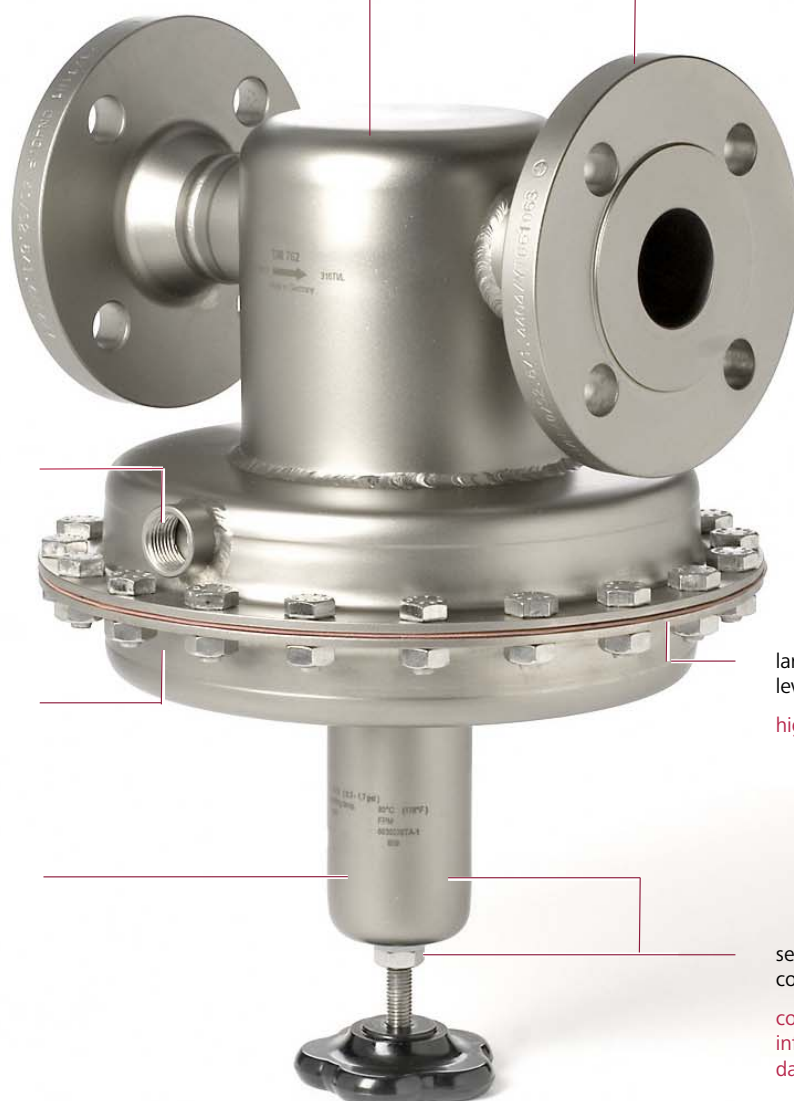
Sheet no. DM 762/6.1.111.1 issue 14.11.2011

compact, pressure-resistant, corrosion-resistant by deep drawn 316 Stainless steel

long operational lifespan, easy installation, minimum space required, possibly low content of delta-ferrite

various connection alternatives: Aseptic-, DIN- or ANSI flanges welded ends .....

no adapters or fitting pieces required



sense line connection  
minimum control deviation

many control modules available  
most accurate regulation

standard surface < RA 1,6 µm  
easy to clean

large control surface, elaborate lever mechanic  
high reduction ratios possible

sealed bonnet with leakage line connection (option)  
compliant with UVV, suitable for inflammable and dangerous media