

PRESSURE CONTROL

Back pressure regulators UV 5.5

Universal valve for small and medium flow rates

MANKENBERG

Technical data

Connection DN	15 - 50
Connection G	1/2 - 2
PS _{max} *	20 bar
Outlet pressure	0.5 - 20 bar
K _{vs} value	1.3 - 7.5 m ³ /h
Temperature	-40 up to 200 °C
Medium	liquid, gases and steam
*RT = -10 °C TO + 50 °C	

Description

Self-acting back pressure regulators are simple control valves offering accurate control while being easy to install and maintain. They control the pressure upstream of the valve without requiring pneumatic or electrical control elements.

The UV 5.5 back pressure regulator is a spring-loaded proportional control valve for universal application at small and medium flow rates. The valve body and medium-wetted internal parts are made of stainless steel 316L featuring excellent corrosion resistance. The valve cone is fitted either with a metallic or a soft seal.

The inlet pressure to be controlled is balanced across the valve seat by the force of the valve spring (set pressure). If the inlet pressure rises above the set pressure, the valve opens. With decreasing inlet pressure the valve control orifice reduces, when the pipeline is depressurised, the valve is closed. Rotating the adjusting screw clockwise increases the inlet pressure.

These valves are no shut-off elements ensuring a tight closing of the valve. In accordance with DIN EN 60534-4 and/or ANSI FCI 70-2 they may feature a leakage rate in closed position in compliance with the leakage classes III or V, optional IV.

Standard

- » Body and medium-wetted internal parts made of stainless steel 316L
- » DIN or ANSI flanges, threaded sockets G or NPT
- » Non-rising adjusting screw
- » Quick-release body clamp ring

Options

- » Various seal materials suitable for your medium
- » Special connections: aseptic, JIS flanges or welding spigots; other connections on request
- » Special versions on request

Product



Picture similar

Technical specification

K_{vs} values [m³/h]

nominal diameter	DN 15 - 50			DN 25 - 50
m ³ /h	1.3	2.4	4.2	7.5

Setting ranges [bar], PS_{max} at RT [bar]

setting range	0.5 - 2	1 - 4	2 - 7	5 - 20
PS _{max} at RT [bar]	20/20			

Max. operating pressure [bar] at reference temperature [°C]

T	-10 - 50	100	130	200
p	20	20	20	16

Materials

Materials*			
Temperature	80 °C	130 °C	200 °C
Body	1.4408		
Bonnet	1.4404		
Internals	1.4404 + 1.4462		
Adjusting screw	A4		
Spring	1.4310 / 1.7102 + Delta Tone		
Hard seal	1.4404		
Soft seal	NBR	EPDM optional FKM	-
O-ring	NBR	EPDM optional FKM	FEPM

*All materials equal or of higher quality

Dimensions and weights

Dimensions [mm] threaded connection BSP and NPT

size	Connection G					
	1/2	3/4	1	1 1/4	1 1/2	2
A	135	135	135	190	190	190
B	68	68	68	68	68	68
C ₁	205	205	205	205	205	205
C ₂	275	275	275	275	275	275
øD	110	110	110	110	110	110

Dimensions [mm] flange connection EN 1092 and ANSI 150, 300

size	nominal diameter DN					
	15	20	25	32	40	50
A	230	230	230	230	230	230
B	68	68	68	68	68	68
C ₁	205	205	205	205	205	205
C ₂	275	275	275	275	275	275
øD	110	110	110	110	110	110
øE	95	105	115	140	150	165
F	19	22	23	26	26	30

Weights [kg] screwed connection BSP and NPT

Pressure range bar *	Connection G					
	1/2	3/4	1	1 1/4	1 1/2	2
0,5 - 2 / 1 - 4	6.6	6.6	6.6	6.6	6.6	6.6
2 - 7	8.6	8.6	8.6	8.6	8.6	8.6
5 - 16	9.6	9.6	9.6	9.6	9.6	9.6

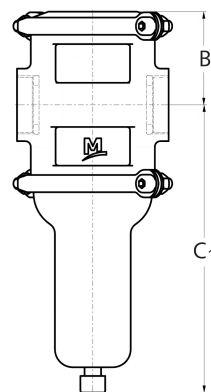
Weights [kg] flange connection EN 1092 and ANSI 150, 300

Pressure range bar *	nominal diameter DN					
	15	20	25	32	40	50
0,5 - 2 / 1 - 4	7.6	7.6	7.6	8.6	8.6	8.6
2 - 7	8.6	9.6	9.6	10.6	10.6	10.6
5 - 16	10.6	10.6	10.6	11.6	12.6	12.6

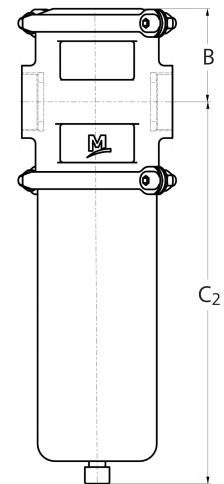
Customs tariff number

84814010

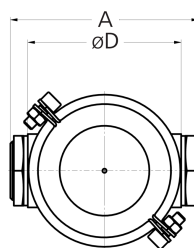
Setting Range
0,5 - 2 bar, 1 - 4 bar



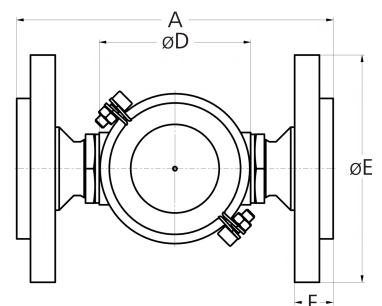
2 - 7 bar, 5 - 20 bar



Screwed Connection
BSP and NPT

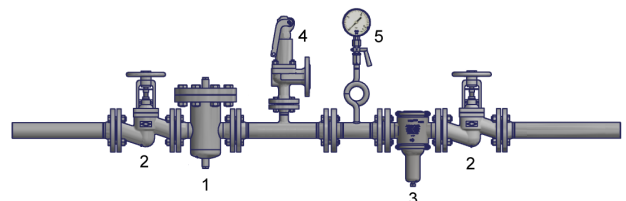


Flange Connection
EN 1092 and ANSI



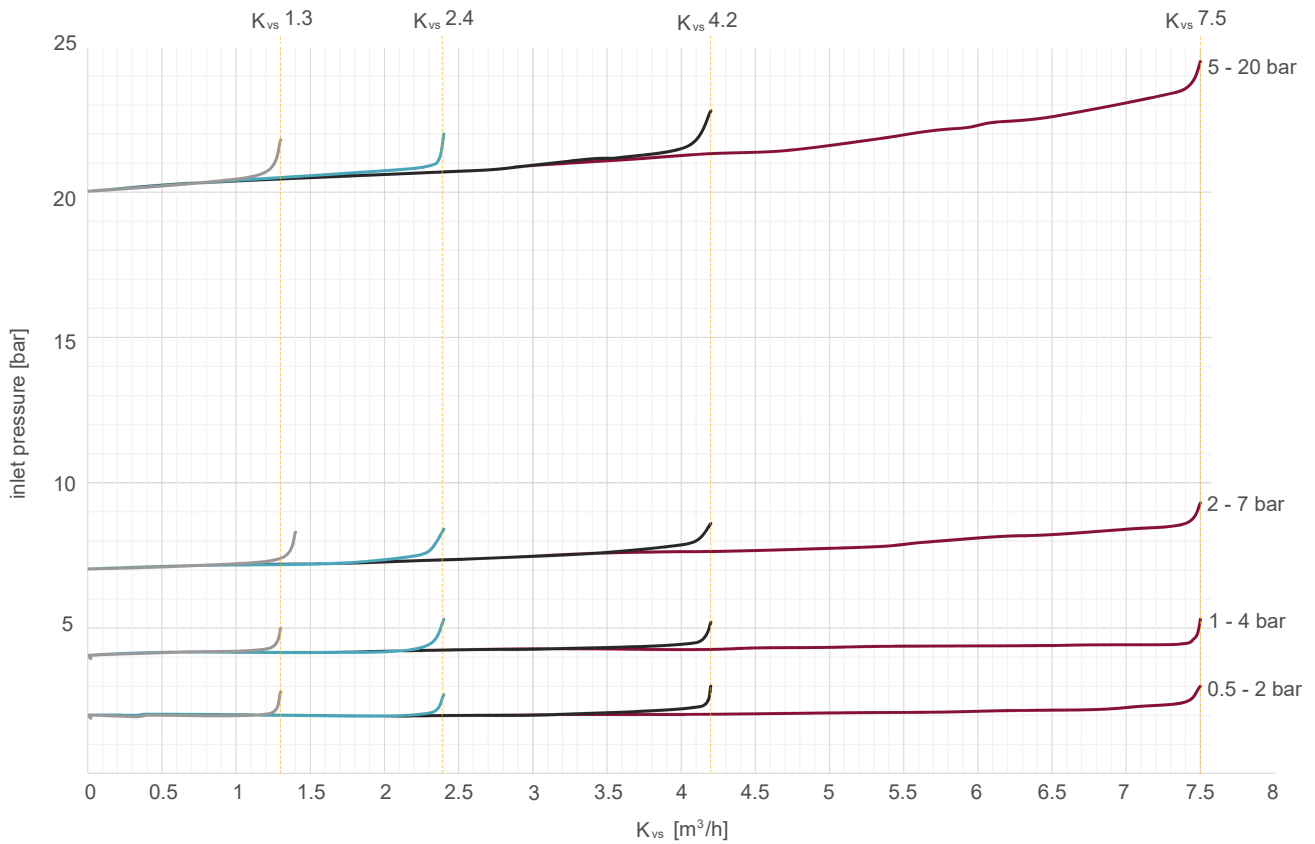
Recommended installation

- | | |
|--------------------------|------------------|
| 1 Strainer | 4 Safety valve |
| 2 Shut-off valves | 5 Pressure gauge |
| 3 Backpressure regulator | |



Please send us your enquiry and allow us to advise you. Special designs on request.
The pressure has always been indicated as overpressure. Mankenberg reserves the right to alter technical specifications without notice.

Flow chart



Please send us your enquiry and allow us to advise you. Special designs on request.
 The pressure has always been indicated as overpressure. Mankenberg reserves the right to alter technical specifications without notice.